

ION GENESIS™

User-Programmable Smart Sensing Controller

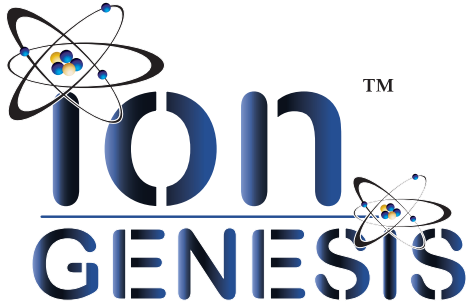
DATA SHEET

Dated: 08/05/010

Supersedes: None

Document No.: ION GEN-DS

Page 1 of 2



Patent pending

SPECIFICATIONS

Voltage:	120 VAC, 60 Hz
Capacity:	15 amp maximum load per pump outlet (1/2 hp)
Standby Power Consumption:	3 W maximum
Remote Alarm Contacts:	Normally closed (Open during alarm state) 30 VAC/DC @ 1A MAX
Temperature Range:	0 °C to 40 °C (32 °F to 104 °F)
Audible Alarm:	80 dB at 10 ft.
Enclosure:	NEMA-1 UL94V-0 ABS
Mounting:	(4) #10 screws
Dimensions (Controller Mounting):	8.25" x 3.50" mounting hole center lines

GENERAL OVERVIEW

The Ion Genesis is a residential sump pump controller for 1 or 2 pumps that includes redundant water level sensors, a configurable water level/pump turn-on setting, 2-pump alternation, pump failure sensing, local audible/visual alarm notification, and optional remote alarm notification.

Key Features

- Uses redundant water level sensors with ion Digital Level Sensing technology rather than unreliable mechanical switches.
- Operates with 1 or 2 pumps. Controller continually monitors and adjusts its operation depending upon situation presented. Easily switch between simplex and duplex operation with a single press or a button.
- Auto sensing feature automatically selects number of pumps connected for ease of installation.
- Easily adjust pump turn-on level using front panel pushbuttons and LCD display.
- LCD display informs user of operational status such as sump pit water level height, pump turn-on set-point, pump run current and alarm description.
- LED indicators enable quick visual indication of power, alarm and pump running.
- Single RESET/TEST pushbutton can be used for troubleshooting or when adding or removing pumps from the system to reinitialize the controller.
- Intelligent controller continually monitors and alarms for pump failure, pump over current, high water level, sensor communication failure, or water trending condition. A trending alarm would indicate the controller "sees" a pump, and has called for the pump, but the water level is still rising or is not being removed from the sump pit at an acceptable discharge rate.
- Controller continually monitors the water sensors for operational status. If the sensor should malfunction or become damaged in any way, the controller will inform the user to replace sensor.
- Alarm contacts can be used to connect to a security monitoring, home automation system, or used with the optional alarm dialer.

ION GENESIS

User-Programmable Smart
Sensing Controller

DATA SHEET

Dated: 08/05/010

Supersedes: None

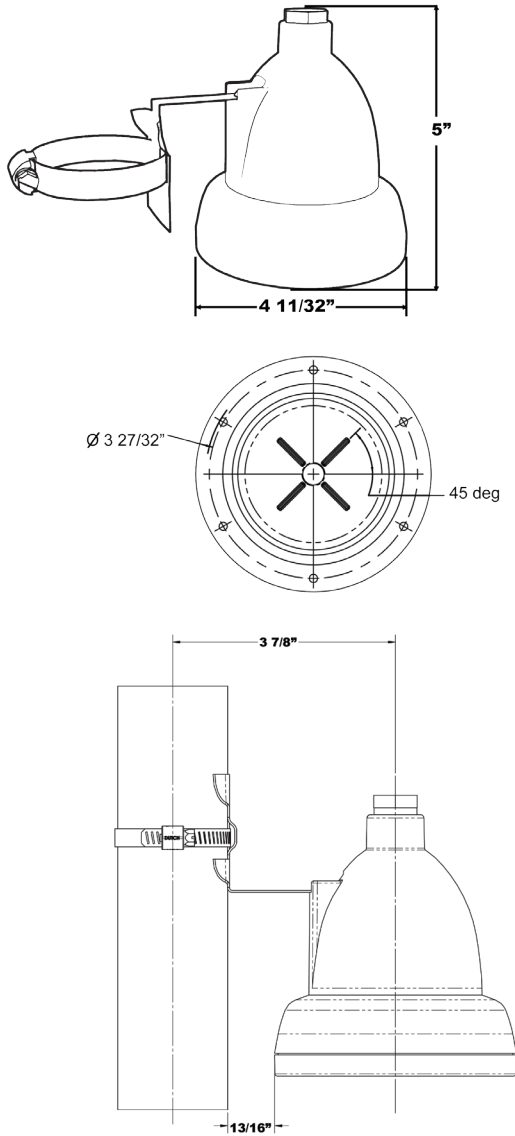
Document No.: ION GEN-DS

Page 2 of 2

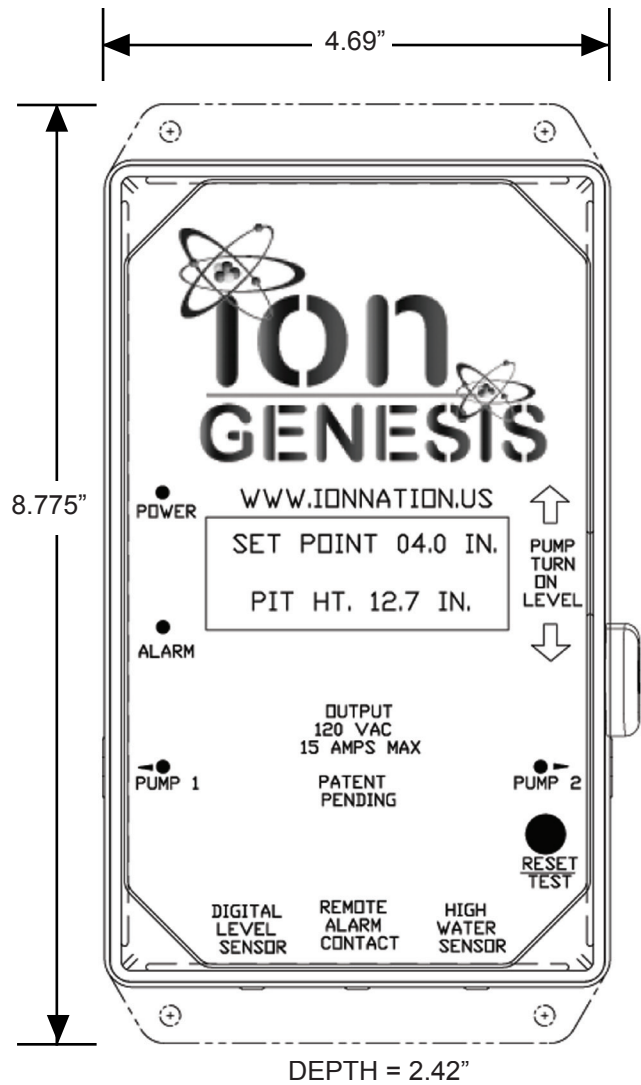
Power Requirement:

Unit should be connected to a dedicated 15A circuit.

Note: This product is for use with manual pumps only. Cannot be used with pumps that contain an integrated switch. Two water level sensors are supplied with this unit for control.



QTY (2) SENSORS



DEPTH = 2.42"

QTY (1) ION GENESIS
CONTROLLER



Metropolitan Industries, Inc.
www.metropolitanind.com